

**Fabricadores de hielo
Ice makers**

Modelos / Models:

FIM-30-40-60-80-130 S - K



PLATON SERVICE

8 (800) 500-34-44

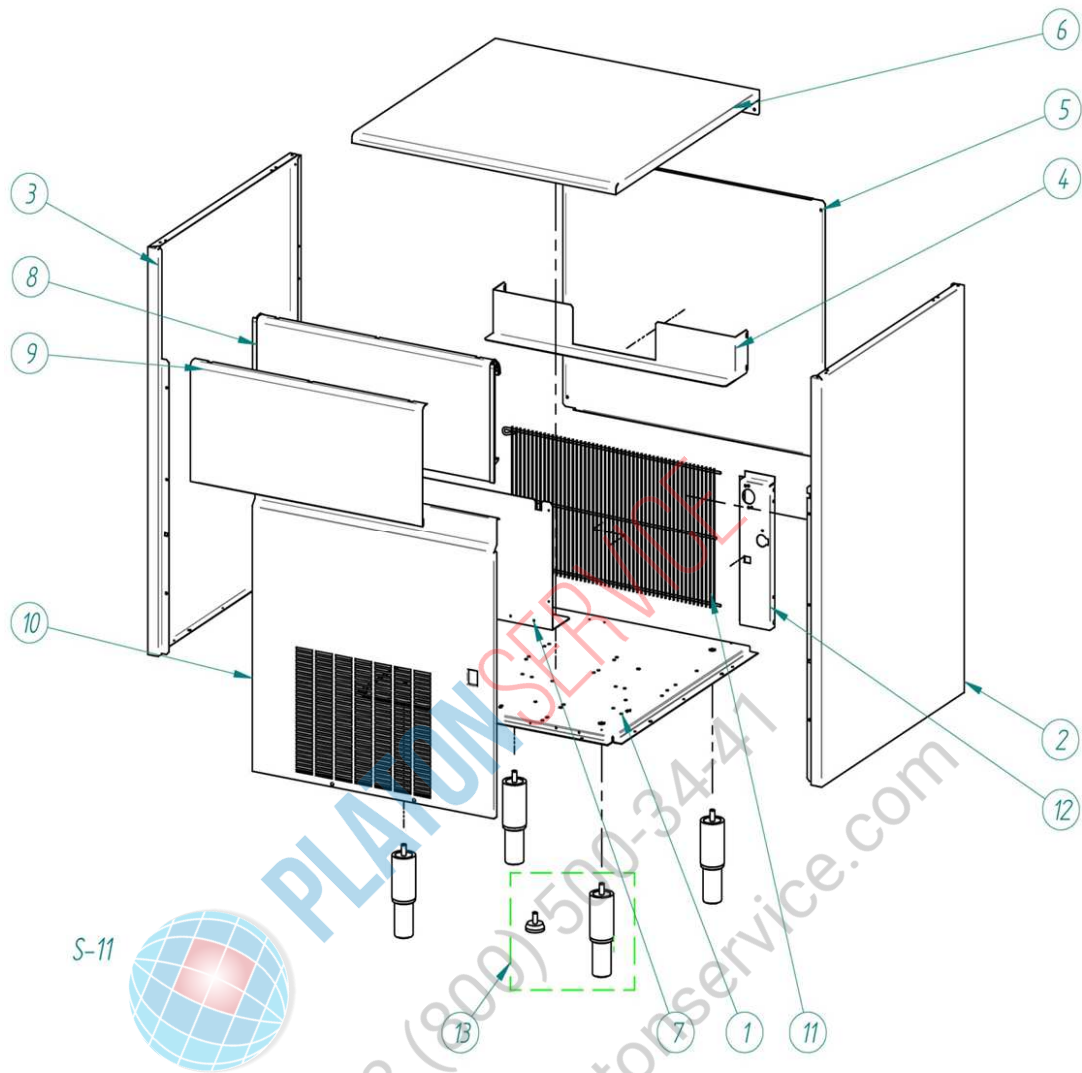
www.platonservice.com

Abril 2016 April

FAGOR 

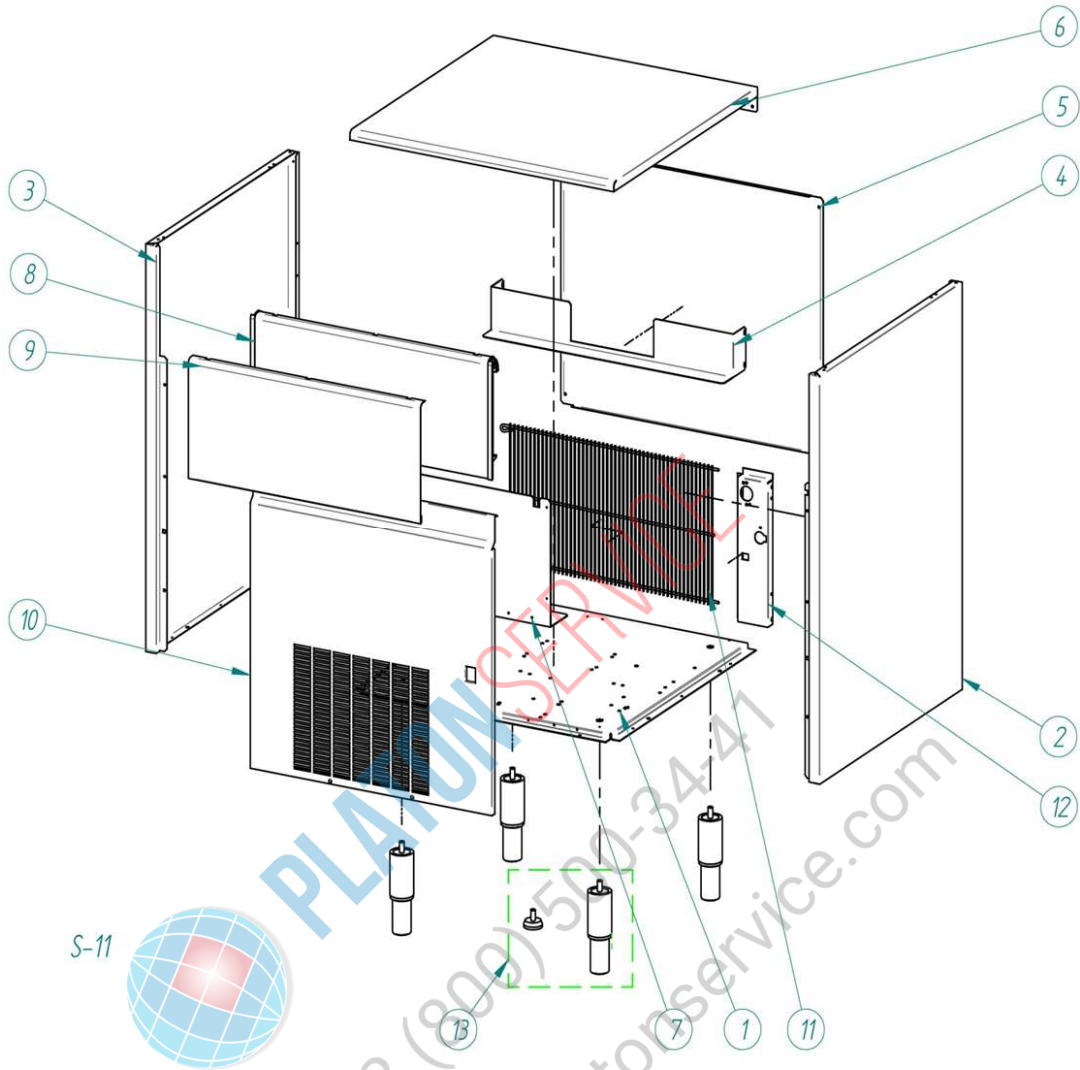
FAGOR INDUSTRIAL

CARROCERIA FIM S-K



CARROCERIA FIM S-K					
DENOMINACION	30	40	60	80	130
1 BANCADA	IT4101		IT4116	IT4143	IT4296
2 LAT. DERECHO	IT4810		IT4812	IT4814	IT4816
3 LAT. IZQUIERDO	IT4811		IT4813	IT4815	IT4817
4 SOPORTE TRASERO	IT4106		IT4122	IT4136	-
5 TRASERA	IT4108		IT4124	IT4138	IT4460
6 CUBIERTA	IT4818V1		IT4819V1	IT4820V1	IT4821V1
7 SOPORTE DELANTERO	IT4105		IT4121	IT4135	-
8 PUERTA	IT4268		IT4269	IT4270	IT4271
9 CHAPA PUERTA	IT4830		IT6419	IT6420	IT6421
10 FRENTE Y REJILLA	IT8465		IT8466	IT8467	IT8468
11 REJILLA TRASERA	-		IT4129	-	-
12 SOPORTE ACOMETIDAS	IT4107		IT4123	IT4137	IT4298
13 PATAS	IT4144+IT4147			IT1478	

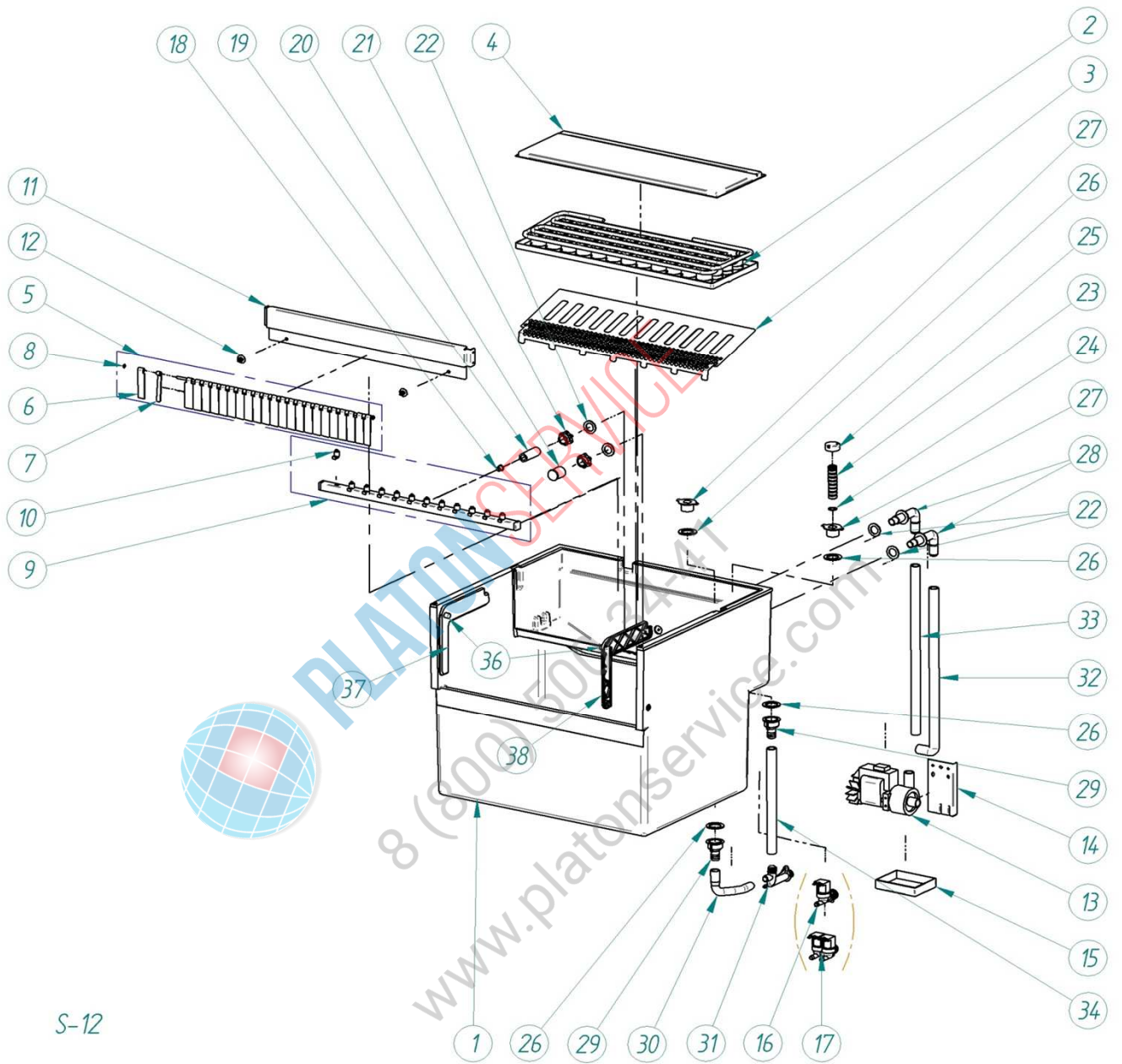
CABINET FIM



CABINET FIM

		CABINET FIM				
NAME		30	40	60	80	130
1	BASE	IT4101	IT4116	IT4116	IT4143	IT4296
2	RIGHT PANEL	IT4810	IT4812	IT4812	IT4814	IT4816
3	LEFT PANEL	IT4811	IT4813	IT4813	IT4815	IT4817
4	REAR SUPPORT	IT4106	IT4122	IT4122	IT4136	-
5	REAR PANEL	IT4108	IT4124	IT4124	IT4138	IT4460
6	TOP PANEL	IT4818V1	IT4819V1	IT4819V1	IT4820V1	IT4821V1
7	FRONT SUPPORT	IT4105	IT4121	IT4121	IT4135	-
8	DOOR	IT4268	IT4269	IT4269	IT4270	IT4271
9	TOP PANEL (DOOR)	IT4830	IT6419	IT6419	IT6420	IT6421
10	FRONT PANEL AND GRID	IT8465	IT8466	IT8466	IT8467	IT8468
11	REAR GRID	-	-	IT4129	-	-
12	TUBE SUPPORT	IT4107	IT4123	IT4123	IT4137	IT4298
13	LEGS	IT4144+IT4147			IT1478	

CUBA STOCK FIM

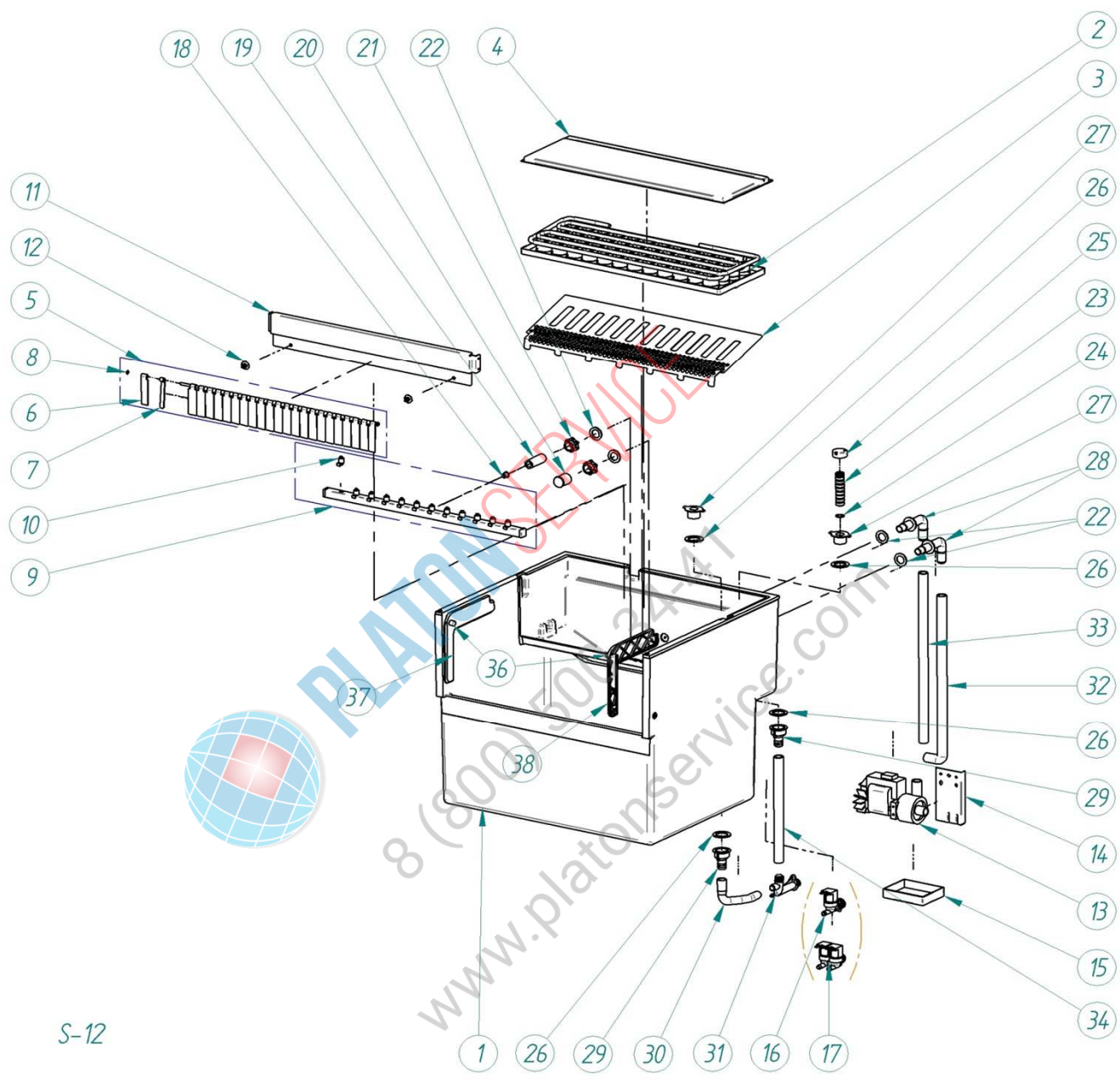


S-12

CUBA STOCK FIM

CUBA STOCK					
DENOMINACION	30	40	60	80	130
1 CUBA COMPLETA	IT7460		IT7461	IT7462	IT7498
2 EVAPORADOR	20gr	IT7449	IT7450	IT7451	IT7501
	40gr	IT7435	IT7440	IT7441	IT7469
3 REJILLA EXPULSORA	IT4465		IT4466	IT4467	IT4468
4 TAPA EVAPORADOR	IT4707		IT4708	IT4709	IT4710
5 CORTINA COMPLETA	IT5008		IT5887	IT5888	IT5957
6 LAMA EXTERIOR	IT1213				
7 LAMA INTERIOR	IT1212				
8 JUNTA ARTICULACION	IT107				
9 COLECTOR	IT7454	IT7455	IT7456	IT7497	
10 INYECTOR	IT526				
11 SOPORTE CORTINA	IT4461	IT4462	IT4463	IT4464	
12 CLIP	IT3533				
13 BOMBA	IT4769	IT4803	IT4556	IT4803	
14 SOPORTE BOMBA	IT4613				
15 BANDEJA CONDENS	IT4521				
16 VALV. AGUA	IT1673				IT4525
17 VALV. AGUA conden w	IT1674				IT1913
18 RESTRICTOR	IT805	-	IT5962	IT4527	
19 TUBO SILICONA	IT4098				
20 FILTRO	IT4505				
21 TUERCA PLASTICO	IT4502				
22 JUNTA	IT4503				
23 REBOSADERO	IT4426				
24 JUNTA TORICA	IT4496				
25 TAPA REBOSADERO	IT4427				
26 JUNTA	IT4755				
27 DESAGÜE	IT6017				
28 RACORD CODO	IT4501				IT4594
29 RACORD RECTO DESAGÜE	IT6018				
30 MANGUITO DESAGÜE	IT6021				IT4714
31 COLECTOR DESAGÜE	IT363				IT6206
32 TUBO RETORNO	IT4551	IT4725	IT4728	IT4739	
33 TUBO IMP BOMBA	IT4713	IT4724	IT4727	IT4885	
34 MANGUITO REBOSADERO	IT4714	IT4726	IT4726	-	
36 PIVOTE	IT4276				
37 GUIA IZDA	IT4273				
38 GUIA DCHA	IT4272				

STOCK BIN FIM

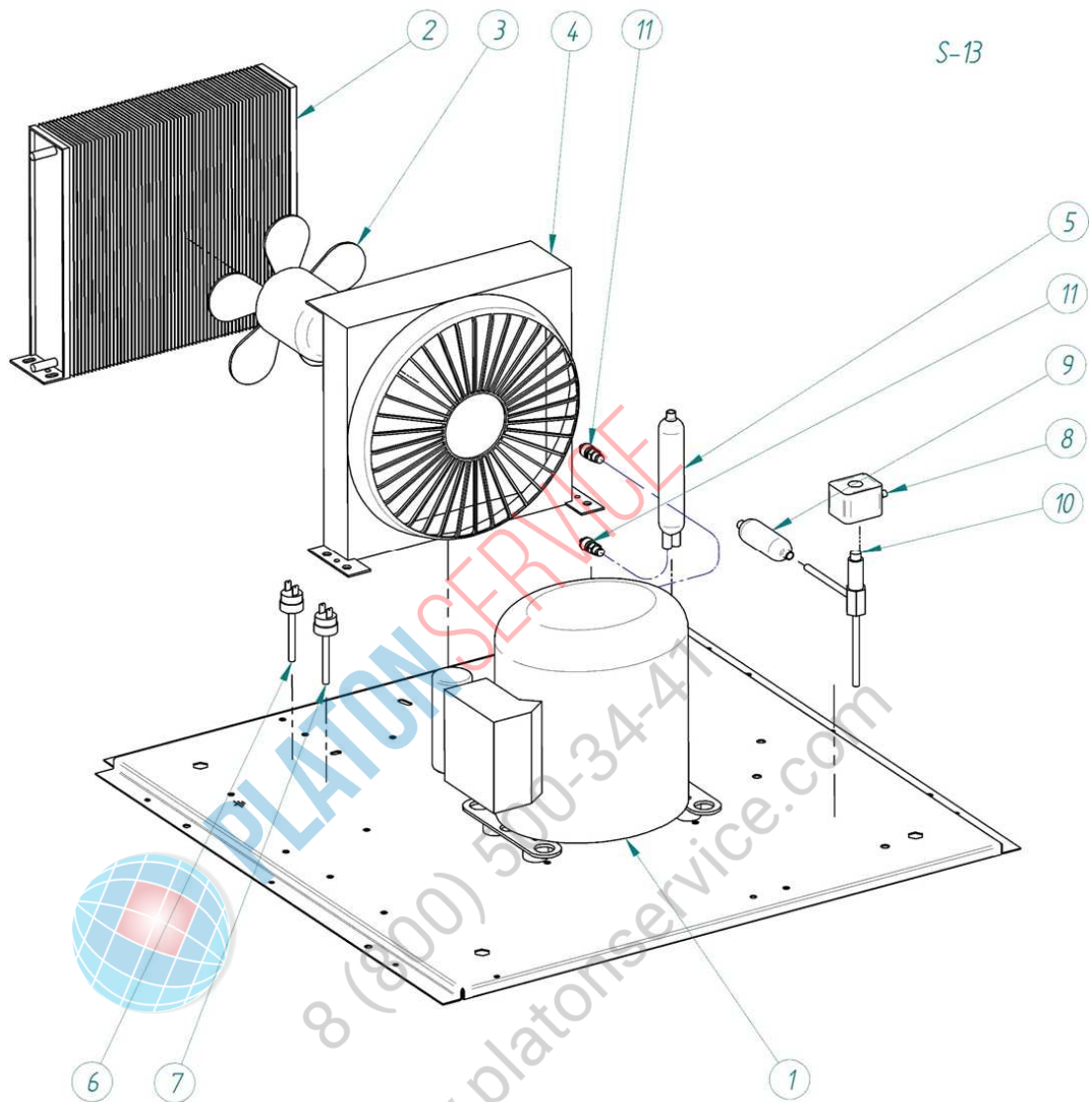


S-12

STOCK BIN FIM

STOCK BIN						
	NAME	30	40	60	80	130
1	STOCK BIN	IT7460		IT7461	IT7462	IT7498
2	EVAPORATOR	20gr	IT7449	IT7450	IT7451	IT7501
		40gr	IT7435	IT7440	IT7441	IT7469
3	EJECT CUBE GRILL	IT4465		IT4466	IT4467	IT4468
4	TAPA EVAPORADOR	IT4707		IT4708	IT4709	IT4710
5	CURTAIN	IT5008		IT5887	IT5888	IT5957
6	EXTERIOR CURTAIN SLAT	IT1213				
7	INTERIOR CURTAIN SLAT	IT1212				
8	JOINT	IT107				
9	COLECTOR	IT7454	IT7455	IT7456	IT7497	
10	NOZZLE	IT526				
11	CURTAIN SUPPORT	IT4461	IT4462	IT4463	IT4464	
12	CLIP	IT3533				
13	PUMP	IT4769	IT4803	IT4556	IT4803	
14	PUMP SUPPORT	IT4613				
15	CONDENSATION TRAY	IT4521				
16	WATER INLET VALVE	IT1673				IT4525
17	WATER INLET VALVE	IT1674				IT1913
18	WATER REGULATOR	IT805	-	IT5962	IT4527	
19	TUBE	IT4098				
20	FILTER	IT4505				
21	PLASTIC NUT	IT4502				
22	JOINT	IT4503				
23	OVERFLOW PLASTIC COUPLING	IT4426				
24	OVERFLOW TUBE	IT4496				
25	ELBOW ADAPTER	IT4427				
26	JOINT	IT4755				
27	DRAIN	IT6017				
28	DRAIN ELBOW ADAPTER	IT4501				IT4594
29	DRAIN STRIGHT UNION	IT6018				
30	DRAIN COUPLING	IT6021				IT4714
31	WATER DISTRIBUTOR	IT363				IT6206
32	WATER INLET TUBE	IT4551	IT4725	IT4728	IT4739	
33	WATER OUTLET PIPE	IT4713	IT4724	IT4727	IT4885	
34	OVERFLOW TUBE	IT4714	IT4726	IT4726	-	
36	CLIP	IT4276				
37	LEFT GUIDE	IT4273				
38	RIGHT GUIDE	IT4272				

UNIDAD CONDENSADORA AIRE FIM



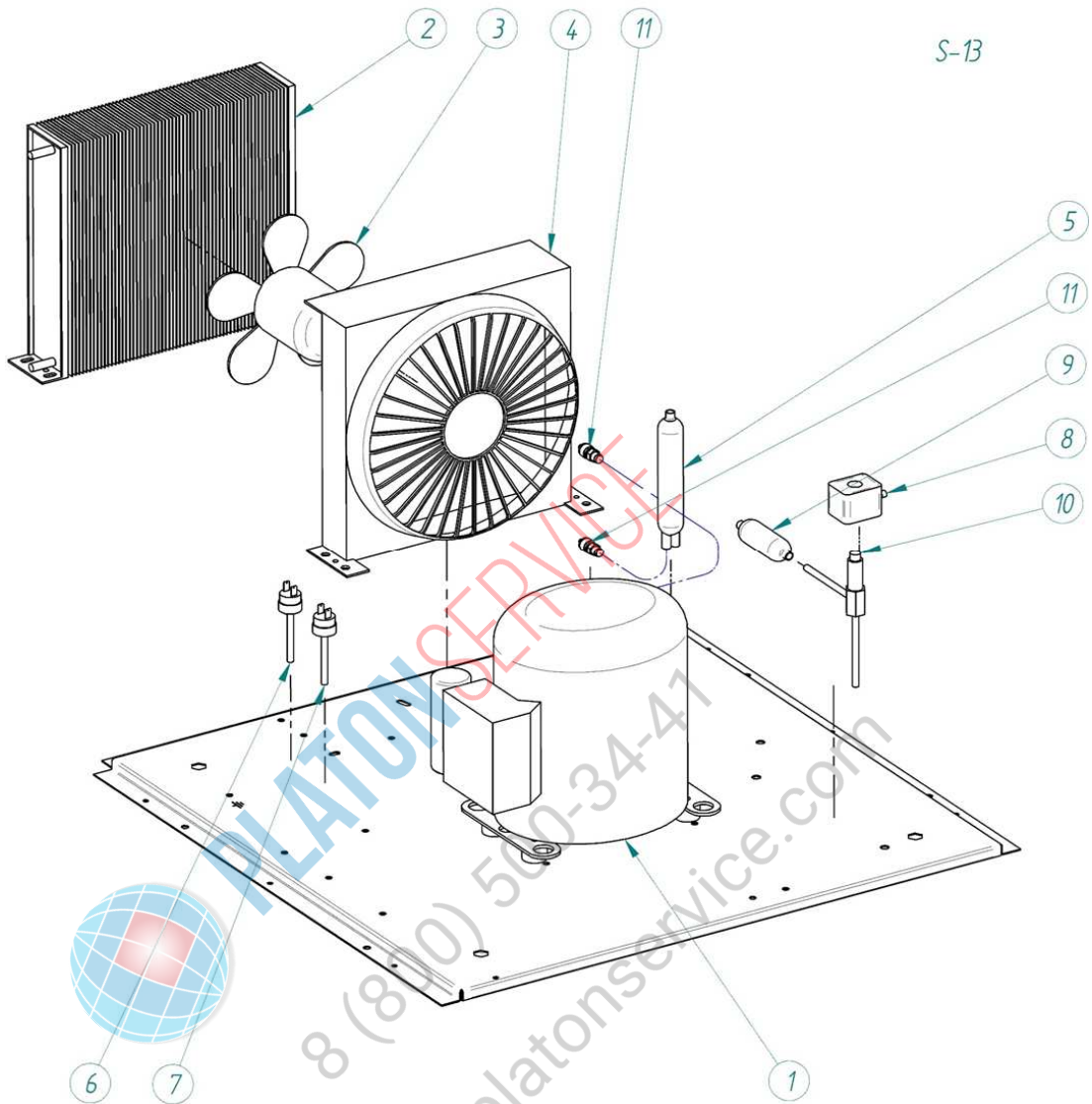
S-13

UNIDAD CONDENSADORA AIRE FIM

	30	40	60	80	130
1 COMPRESOR	IT6005	IT6515	IT6007		IT6763
2 CONDENSADOR	IT8327	IT8327	IT4150	IT4157	IT2618
3 VENTILADOR	T2170 + IT4044	IT28+IT4887	IT4230+IT4231	IT4230+IT4495	IT445+IT4495
4 BAFLE CONDENSADOR	-	-	IT4513	IT2435	-
5 FILTRO DESHIDRATADOR	IT1717				
6 PRES SEGURIDAD	IT334				IT2683
7 PRES CONDENSACIÓN	IT7476				
8 BOBINA	IT5173				
9 FILTRO	IT448				
10 VALV GAS CALIENTE	IT1473				
11 VALVULA DE CARGA	IT335				

AIR CONDENSER UNIT FIM

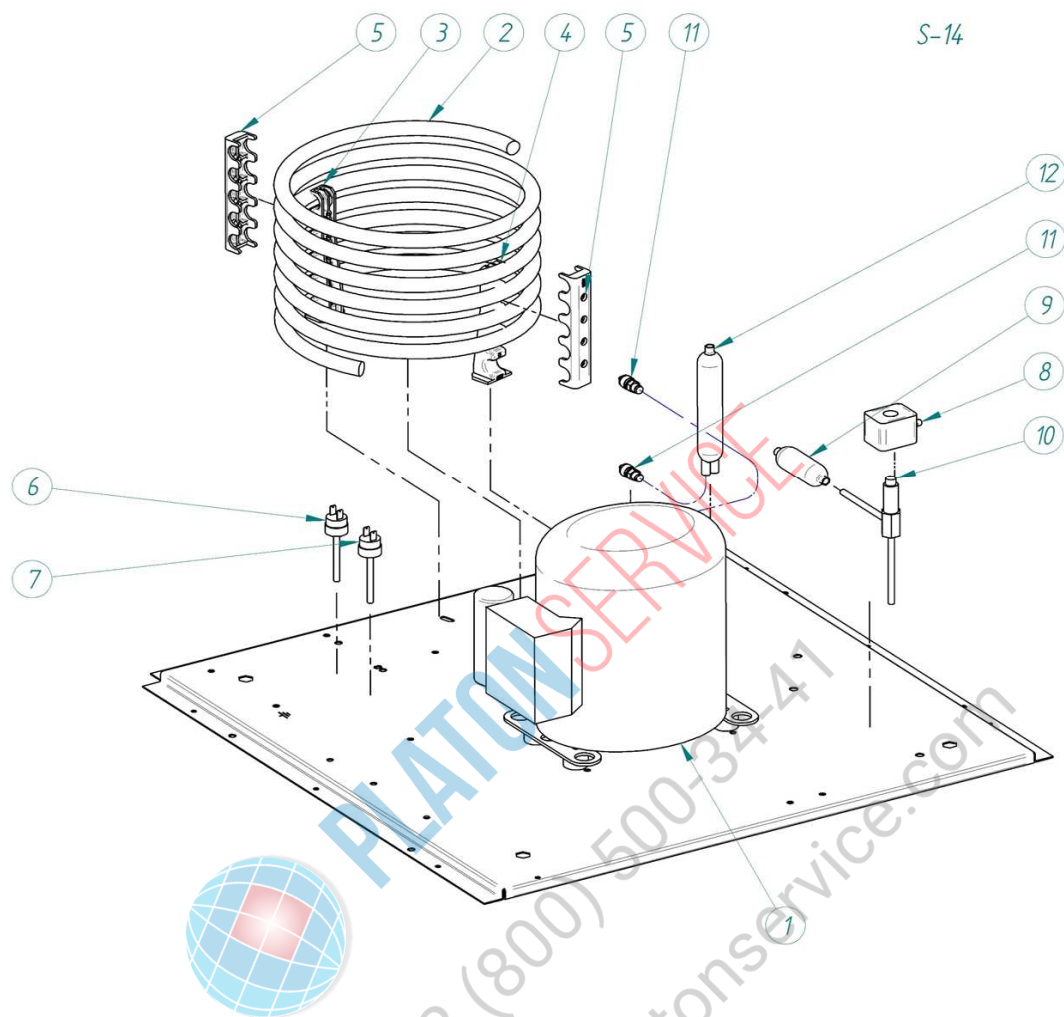
S-13



AIR CONDENSER UNIT FIM

AIR CONDENSER UNIT FIM					
	30	40	60	80	130
1 COMPRESSOR	IT6005	IT6515	IT6007		IT6763
2 CONDENSER	IT8327	IT8327	IT4150	IT4157	IT2618
3 FAN	T2170 + IT4044	IT28+IT4887	IT4230+IT4231	IT4230+IT4495	IT445+IT4495
4 CONDENSER BAFFLE	-	-	IT4513	IT2435	-
5 DRIER	IT1717				
6 SAFETY PRESSOSTAT	IT334				IT2683
7 CONDENSER PRESSOSTAT	IT7476				
8 COIL	IT5173				
9 FILTER	IT448				
10 HOT GAS VALVE	IT1473				
11 INLET VALVE	IT335				

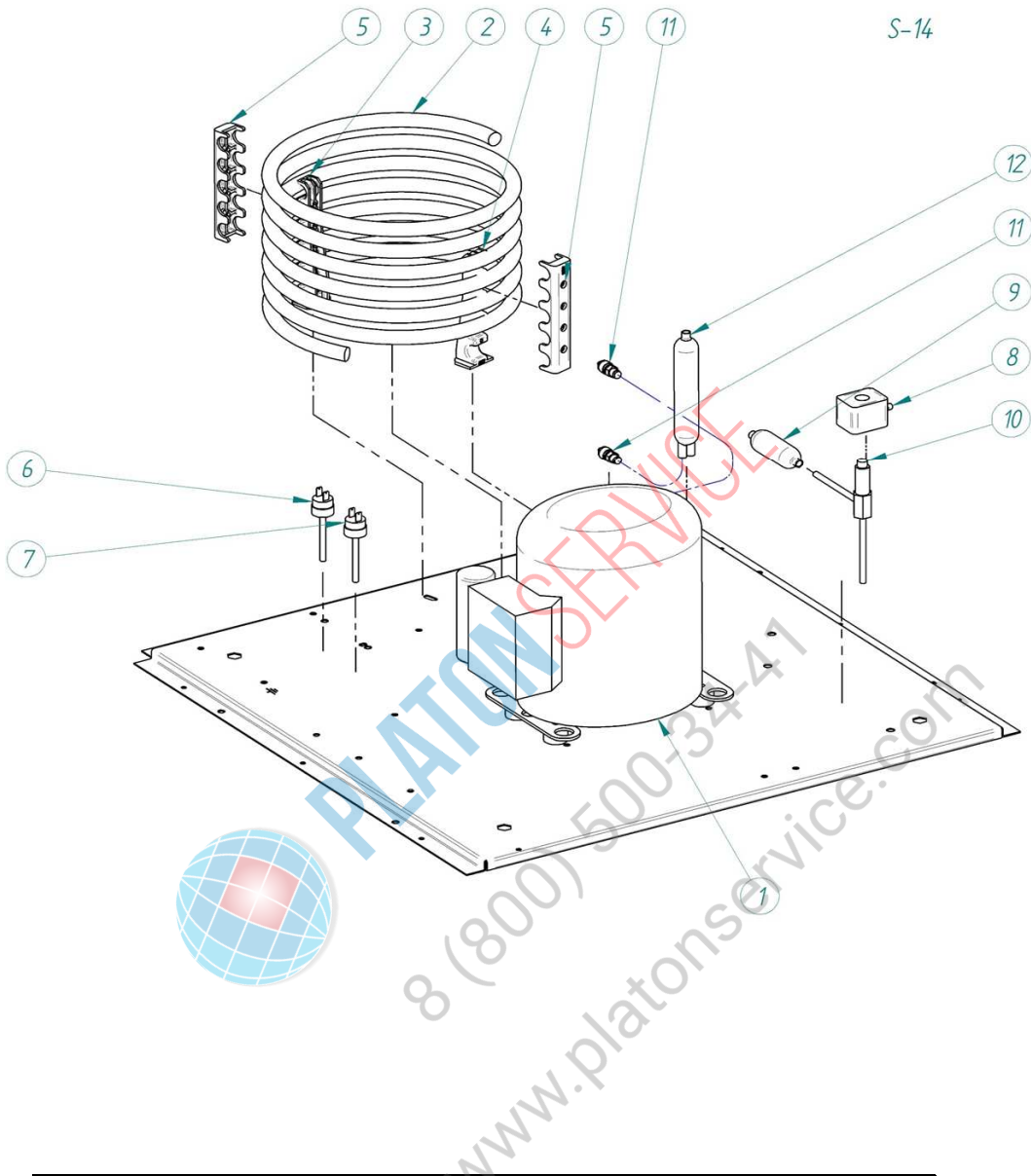
UNIDAD CONDENSADORA AGUA FIM



UNIDAD CONDENSADORA AGUA FIM

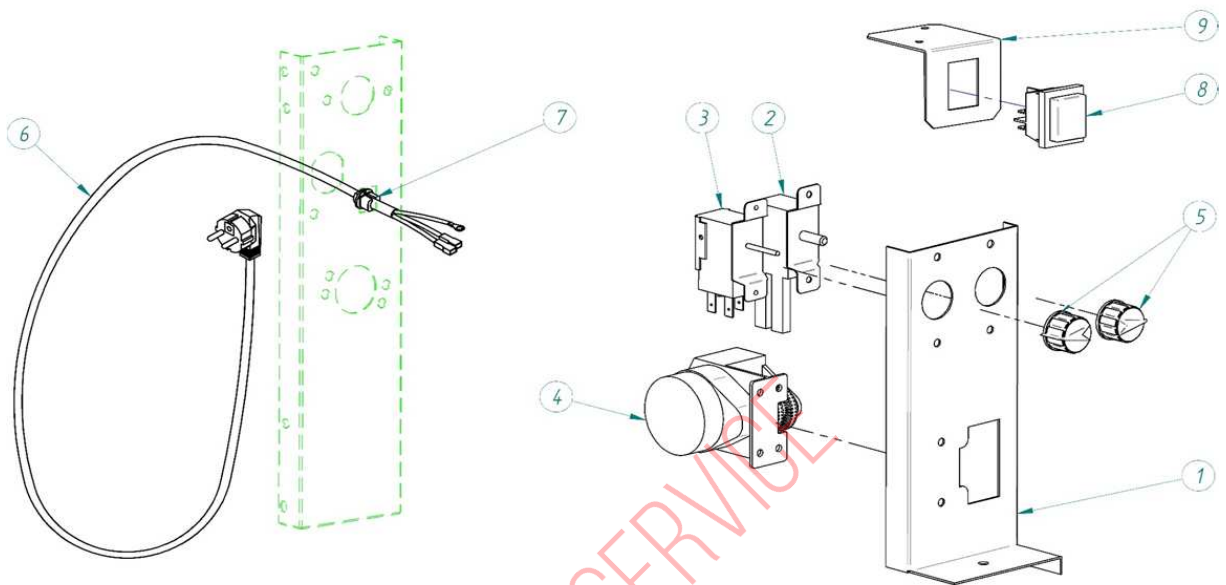
	30	40	60	80	130
1 COMPRESOR	IT6005	IT6515	IT6007		IT6763
2 CONDENSADOR	IT5242	IT5243	IT5244		IT5246
3 SOPORTE ALTO	IT4036				
4 SOPORTE BAJPO	IT4037				
5 SOPORTE EXTERIOR	IT4038				
6 PRESOS. SEGURIDAD	IT334			IT2683	
7 PRESOS CONDENS	IT7476				
8 BOBINA	IT5173				
9 FILTRO	IT448				
10 VALV. GAS CALIENTE	IT1473				
11 VALV. CARGA	IT335				
12 DESHIDRATADOR	IT1717				

WATER CONDENSER UNIT FIM



WATER CONDENSER UNIT FIM					
NAME	30	40	60	80	130
1 COMPRESSOR	IT6005	IT6515	IT6007		IT6763
2 CONDENSER	IT5242	IT5243	IT5244		IT5246
3 SUPPORT	IT4036				
4 SUPPORT	IT4037				
5 SUPPORT	IT4038				
6 SAFETY PRESSOSTAT	IT334			IT2683	
7 CONDENS PRESSOSTAT	IT7476				
8 COIL	IT5173				
9 FILTER	IT448				
10 HOT GAS VALVE	IT1473				
11 VALVE REFRIG REFILL	IT335				
12 DRIER	IT1717				

CUADRO ELÉCTRICO FIM

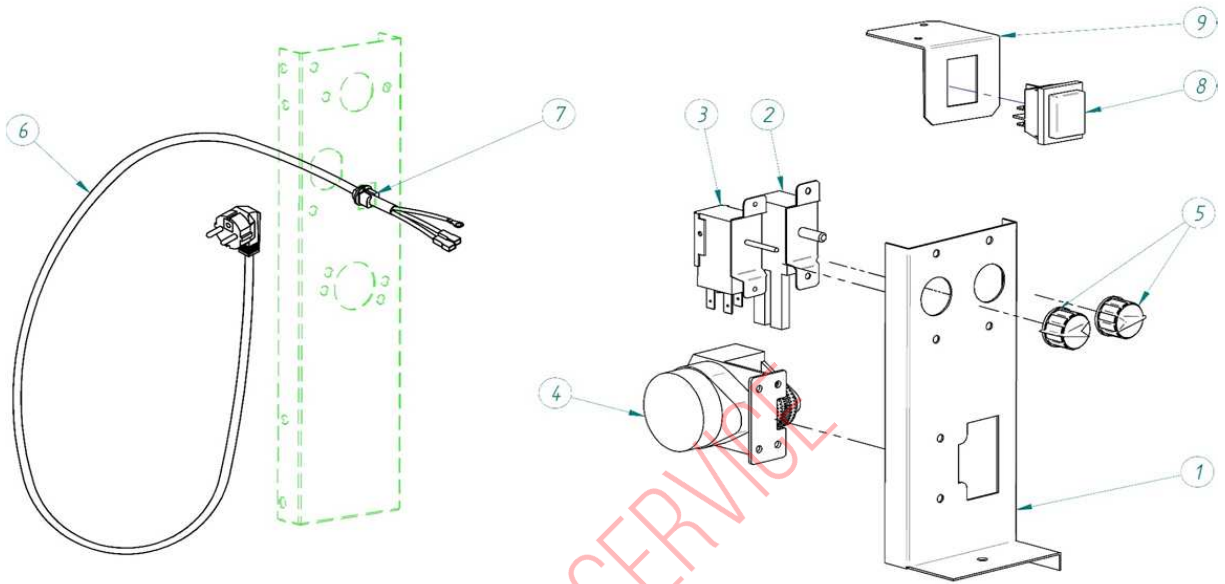


S-15

CUADRO ELÉCTRICO FIM

DENOMINACION	30-40	60	80	130
1 SOPORTE		IT4469		
2 TERMOSTATO CICLO		IT153		
3 TERMOSTATO STOCK		IT274		
4 PROGRAMADOR		IT380		
5 MANDOS		IT272		
6 ALARGADERA		IT408		
7 RETENEDOR CABLE		IT664		
8 INTERRUPTOR		IT6597		
9 SOPORTE INTERRUPTOR		IT4455		

ELECTRIC BOARD FIM



S-15



PLATON SERVICE
 8 (800) 500-34-41
 www.platonservice.com

ELECTRIC BOARD FIM				
NAME	30-40	60	80	130
1 SUPPORT				IT4469
2 CYCLE THERMOSTAT				IT153
3 STOCK THERMOSTAT				IT274
4 TIMER				IT380
5 THERMOSTAT CONTROL				IT272
6 ELECTRIC CORD				IT408
7 WIRING FIXING FLANGE				IT664
8 SWITCH				IT6597
9 SWITCH SUPPORT				IT4455